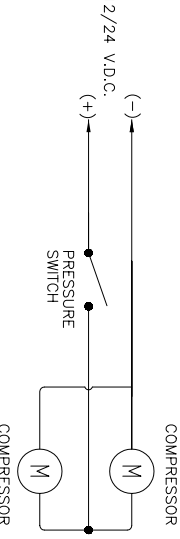
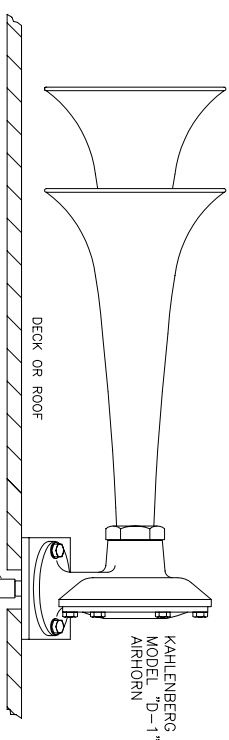


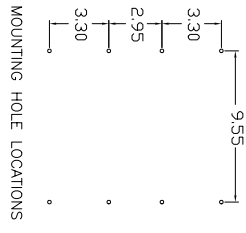
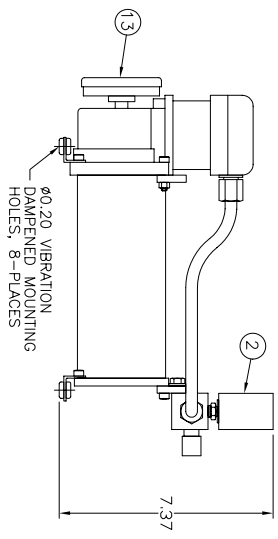
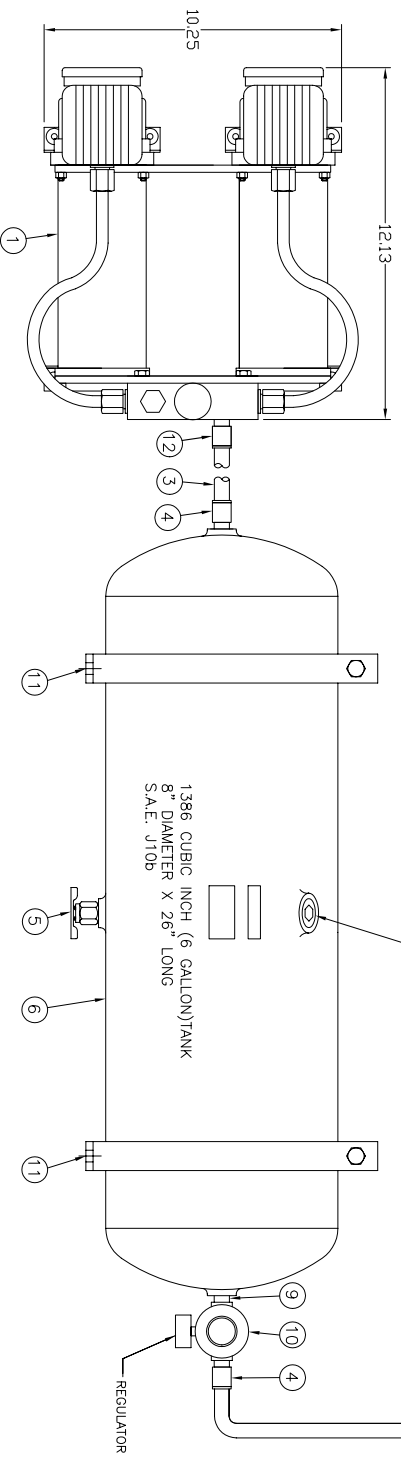
REV.	BY	DATE	DESCRIPTION	APP'D.
A	ZN	03/24/05	ADDED P449-13 12 V.D.C. COMPRESSOR	EMK
B	ZN	03/30/05	ADDED ITEM 13	EMK
C	ZN	05/17/06	ITEM 12 THREADED INTO HORN WAS P516-16	EMK



CURRENT REQUIREMENTS	
12 VOLT	46 AMP
24 VOLT	28 AMP

NOTE: V-150 VALVE PURCHASED SEPARATELY, NOT INCLUDED WITH KIT.

MOUNT COMPRESSOR ON RIGID SUPPORT IN PROTECTED AREA WITH AIR FLOW AROUND THE COMPRESSOR. USE PIPE SEALANT ON ALL THREADED PIPE JOINTS. PRESSURE SWITCH MAINTAINS PRESSURE BETWEEN 150 & 120 P.S.I. REFER TO INSTRUCTION SHEETS FOR ALL INSTALLATION REQUIREMENTS.



ITEM	PART #	DESCRIPTION	QUAN.
1	P449-13	COMPRESSOR ASSEMBLY 12 V.D.C.	1
	P449-14	COMPRESSOR ASSEMBLY 24 V.D.C.	
2	PT148-003	PRESSURE SWITCH	1
3	PT130-009	TUBE, 3/8" O.D., BLACK	8'
4	P516-16	CONNECTOR, MALE, 3/8" N.P.T. X 3/8" O.D. TUBE	4
5	D176-02	DRAINCOCK, 1/4" N.P.T.	1
6	M-170	AIR TANK, Ø8" X 26"	1
7	P127-03	PIPE PLUG, 3/8" X 26" N.P.T.	1
8	PT130-009	TUBE, 3/8" O.D., BLACK	15'
9	P129-01	NIPPLE, CLOSE 3/8" N.P.T.	1
10	P553-04	REGULATOR, AIR, 3/8" N.P.T.	1
11	P521-06	BRACKET, TANK MOUNTING	2
12	P516-11	CONNECTOR, MALE, 1/4" N.P.T. X 3/8" O.D. TUBE	2
13	92623	FILTER/SILENCER	1

**Kahlenberg's**  
TWO RIVERS, WI. U.S.A.

INSTALLATION (SUGGESTED)  
P449-13 & P449-14  
COMPRESSOR SYSTEMS

DR.	DATE	CKD.	SCALE	DRWG. NO.	REV.
ZN	11/04/04	ZN	N.T.S.	3-6317	C