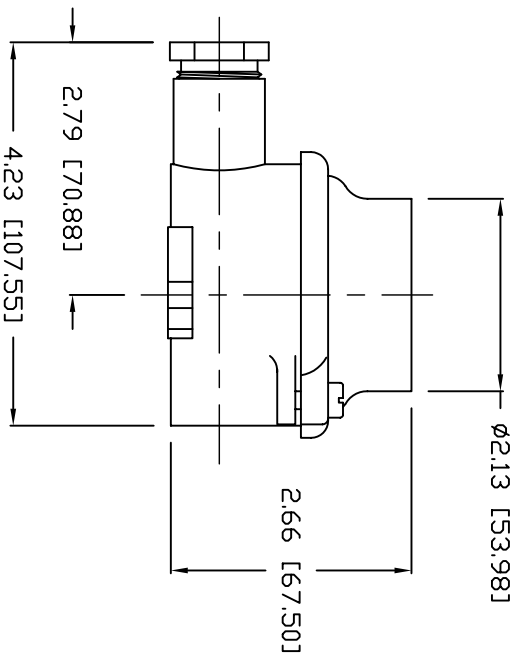
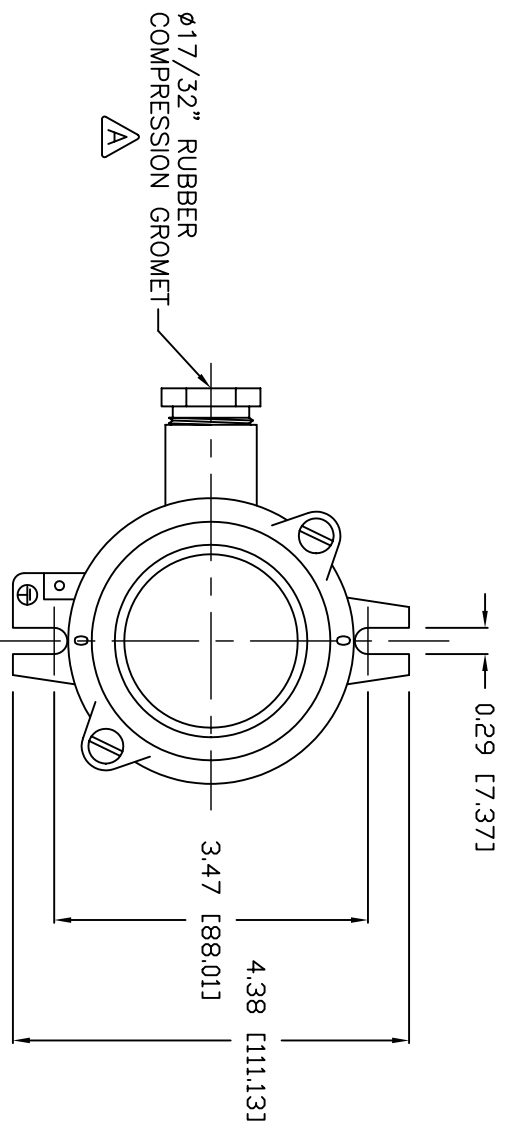


3-6175

REV.	BY	DATE	DESCRIPTION	APP'D.
A	ZN	09/19/03	ADDED INFORMATION	EMK



⚠
 RATING: IP56
 6 A/230V
 4 A/400V
 2.5 A/500V
 SINGLE POLE SINGLE THROW
 1 N.O. CONTACT
 1 N.C. CONTACT
 SCREW TERMINALS
 MATERIAL: CAST BRASS

<small>KAHLENBERG BROS. CO. TWO RIVERS, WISCONSIN 53241</small>				
OUTLINE DIMENSIONS M-132 PUSH BUTTON SWITCH, BULKHEAD MOUNT, WATERPROOF				
DR.	DATE	CKD.	SCALE	DRWG. NO.
ZJN	11/05/01	EMK	N.T.S.	3-6175
				REV.