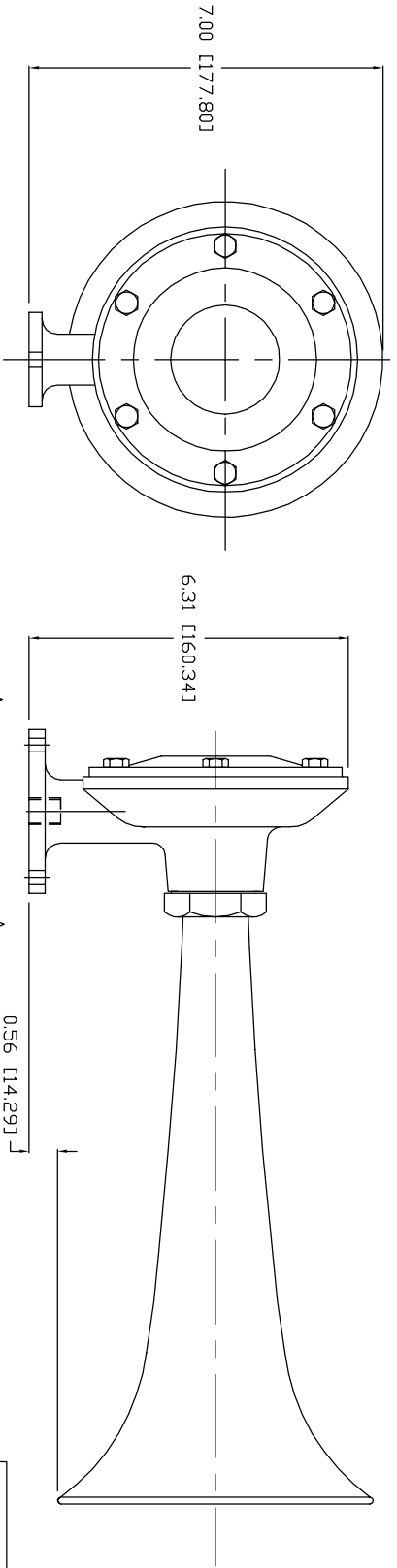
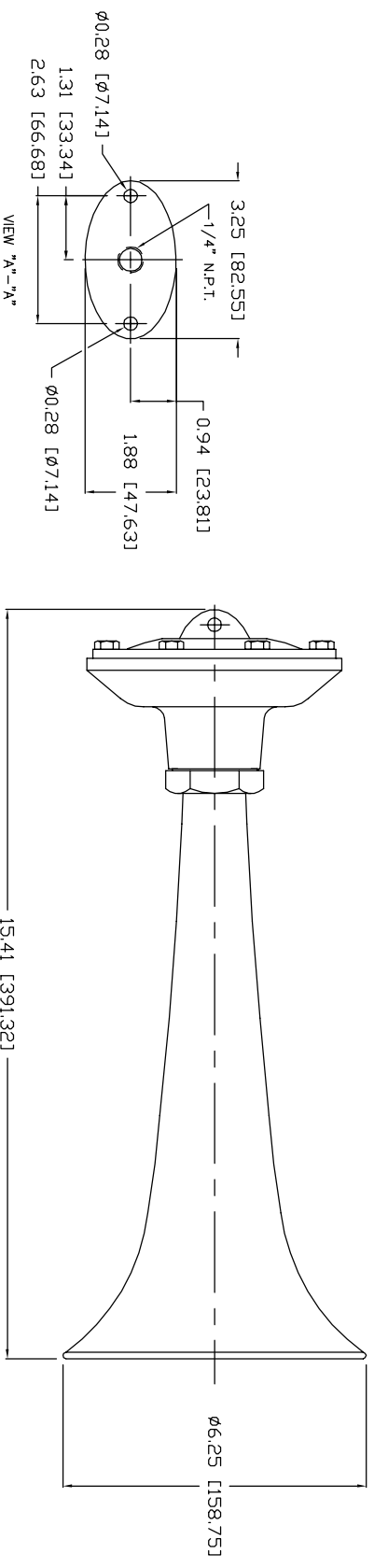


3-6127

REV.	BY	DATE	DESCRIPTION	APP'D.



MATERIAL: SPUN BRASS & CAST BRONZE

TOLERANCES UNLESS OTHERWISE SPECIFIED			
DECIMAL	FRACTIONAL	ANGULAR	FINISH
.X ±.015"	+1/32"	+ 1 DEGREE	✓ = 32 RMS
.XX ±.010"			
.XXX ±.005"			

Kahlenberg
 KAHLENBERG BROS. CO.
 TWO RIVERS, WISCONSIN 52941

OUTLINE DIMENSIONS
 MODEL "S-1" AIRHORN

DR.	DATE	CKD.	SCALE	DRWG. NO.	REV.
ZAN	02/26/01		N.T.S.	3-6127	

P.L. 3-6128