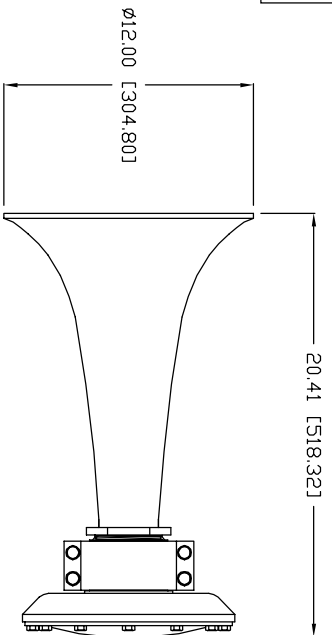


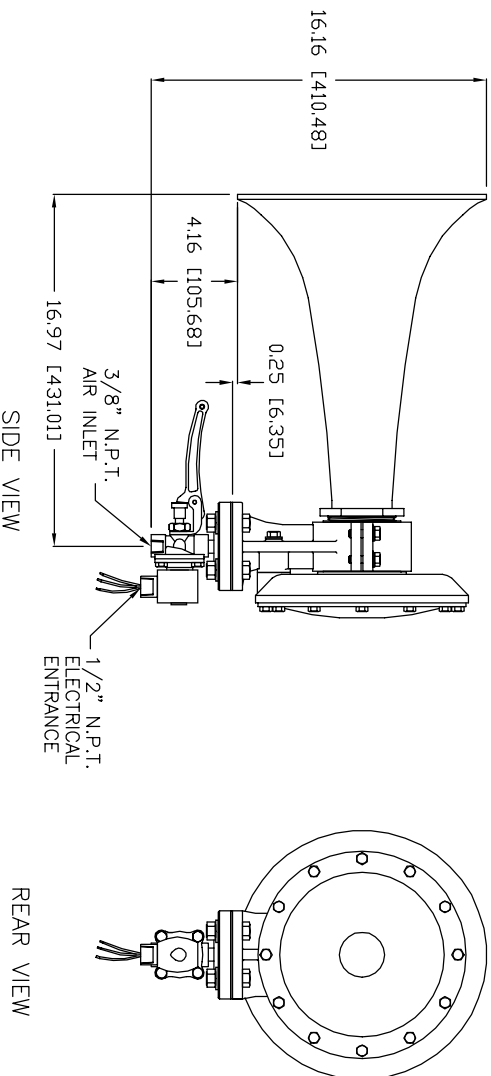
*Conforming to International Maritime Regulations  
For Vessels Between 75 & 200 Meters in Length.*



MATERIAL:  
TYPE 356 CAST  
ALUMINUM

CURRENT REQUIREMENTS

VOLTAGE	AMPS
220 V.A.C. 50/60 H.Z.	0.05
24 V.D.C.	0.50



**TECHNICAL DATA**  
 Frequency: 216 Hz  
 Sound Pressure Level (dB(A) at 1 meter): 141dB  
 Sound Pressure Level (1/3 octave at 1 meter): 140dB  
 Air Consumption: appx. 61.8 CFM @ 150 P.S.I.  
 Air Pressure Req: 100 To 250 P.S.I.  
 Electric Power: Any standard A.C. or D.C. voltage  
 Material: Type 356 Cast Aluminum & Bronze  
 Finish: Zinc chromate primer, Grey or white enamel  
 Net Weight: 45.00 Lbs.  
 Shipping Weight: 140 Lbs.

Price: \$ \_\_\_\_\_ U.S.D. Net. Ea.  
 (Valid for 60 days, F.O.B. Two Rivers, WI, U.S.A.)

**Kahlenberg's**  
 KAHLBERG BROS. CO. TWO RIVERS, WI, U.S.A.

**MODEL S-216C AIRHORN**

DATE	DRWG. NO.	REV.
04/30/01	3-6080	0 EMK