

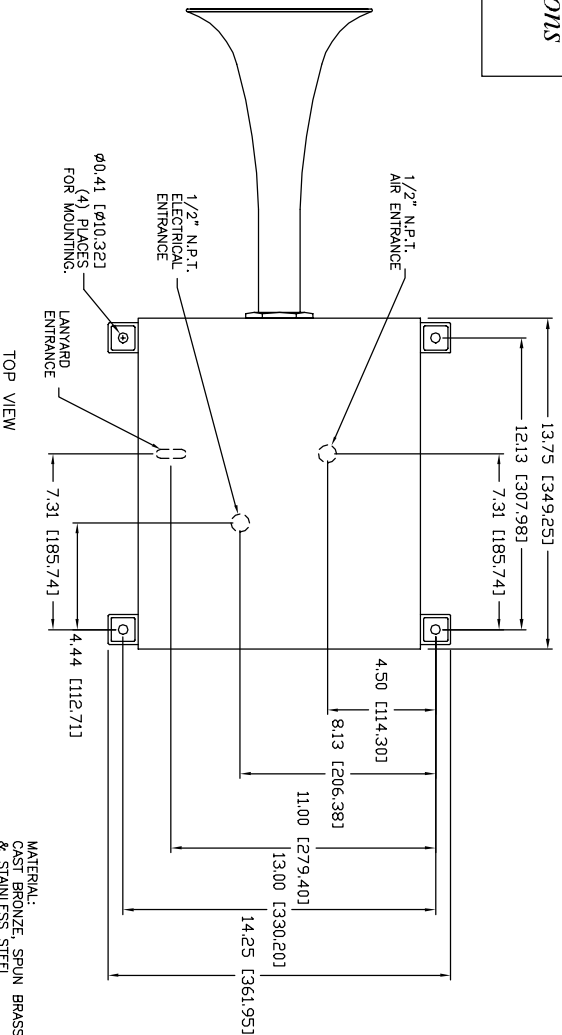
*Conforming to International Maritime Regulations
For Vessels Less Than 75 Meters in Length.*

**CURRENT REQUIREMENTS
FOR SOLENOID VALVE**

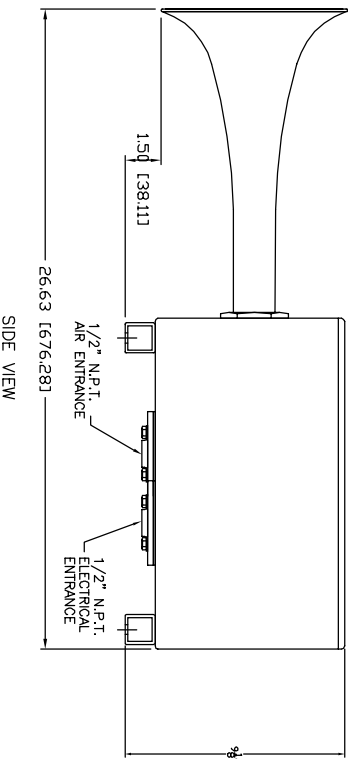
VOLTAGE	AMPS
220 V.A.C.	0.05
24 V.D.C.	0.50

**CURRENT REQUIREMENTS
FOR HEATING ELEMENT**

VOLTAGE	AMPS
120 V.A.C.	6.50



MATERIAL:
CAST BRONZE, SPUN BRASS
& STAINLESS STEEL
WEIGHT:
37 Lbs. (16.78 Kg.)



TECHNICAL DATA

Frequency: 266 Hz
Sound Pressure Level (dB(A) at 1 meter): 136dB
Sound Pressure Level (1/3 octave at 1 meter): 132dB
Air Consumption: appx. 21 CFM @ 150 P.S.I.
Air Pressure Req: 100 To 250 P.S.I.
Electric Power: Any standard A.C. or D.C. voltage
Material: Brass, Bronze & Stainless Steel
Net Weight: 37.00 Lbs.
Shipping Weight: 90 Lbs.

Price: \$ _____ U.S.D. Net. Ea.
(Valid for 60 days, F.O.B. Two Rivers, WI. U.S.A.)



KAHLENBERG BROS. CO.

TWO RIVERS, WI. U.S.A.

**MODEL S-2, ARCTIC ARHORN
W/V-150AL SOLENOID/MANUAL VALVE
HEATER & THERMOSTAT**

DATE	DRWG. NO.	REV.
04/30/01	3-5931	A EMK